

**KYTA**

**PPE**

**CATALOGUE**

**2020**

**[www.kytaindustries.com](http://www.kytaindustries.com)**

**PERSONAL PROTECTION SOLUTIONS  
BE SAFE. STAY STRONG.**

# FACIAL PROTECTION

## BE SAFE. STAY STRONG.

Help to safeguard yourself & others with our range of facial protective wear.



**MATERIAL SPECIFICATIONS MAY DIFFER AND ARE SUBJECT TO AVAILABILITY AT ANY GIVEN TIME.**

**THE PROTECTIVE FACE SHIELD SERVES AS A PHYSICAL BARRIER TO AID REDUCED CONTACT WITH DROPLETS FROM COUGHS AND SNEEZES.**



LIGHTWEIGHT



ONE SIZE FITS ALL



EASILY CLEANED



WASHABLE

## FACIAL PROTECTION

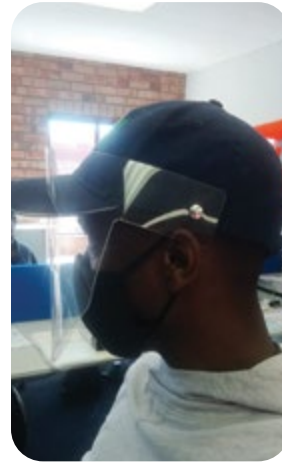
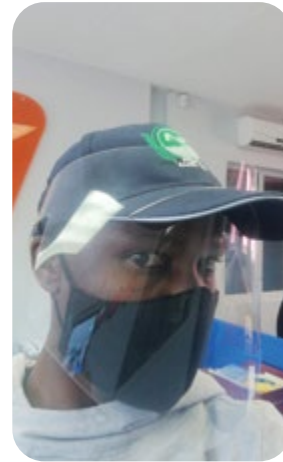
### STANDARD LIGHTWEIGHT SHIELD

CS297



### ADULT CLIP ON CAP SHIELD

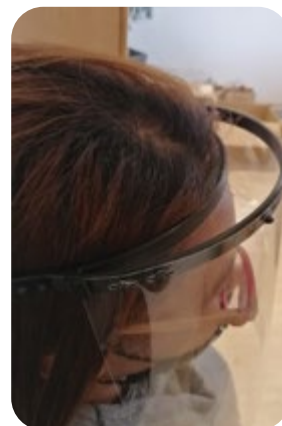
CS319 option 1



### PREMIUM FACE SHIELD

**(INCLUDES COMFORT ACCESSORIES FOR ALL DAY USE: GRIP ELASTIC & RUBBER FOAM )**

CS306





**MATERIAL SPECIFICATIONS MAY DIFFER AND ARE SUBJECT TO AVAILABILITY AT ANY GIVEN TIME.**

## CLOTH MASKS

**3 PLY - REUSABLE  
WASHABLE  
MACHINE OR HAND  
WASHABLE  
INNER MICRO FILTER  
(FILTERS MICRO  
PARTICLES)**

WHITE



BLACK



BRANDED



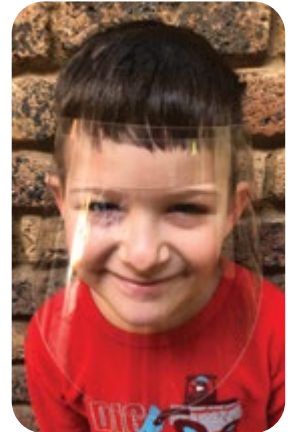
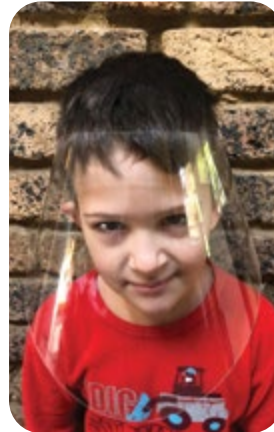
## KIDS CLIP ON CAP SHIELD (REMOVABLE SHIELD)

CS320



## STANDARD KIDS FACE SHIELD

DM190



## KIDS CLIP ON CAP SHIELD

CS319 option 2



SCREENS MAY VARY DUE TO MATERIAL AVAILABILITY.

# PROTECTIVE SCREENS & WORK SPACE DIVIDERS

**BACK TO WORK PPE.  
BE SAFE. STAY STRONG.**

**Transition your workspace providing individual protection whilst maintaining collaborative engagement with screens that create instant boundaries, reduce visual distraction, and increase peace of mind.**





## CHOOSE FROM OUR STANDARD RANGE

OR HAVE ONE OF OUR REPRESENTATIVES EASILY ASSIST YOU IN A CUSTOM SOLUTION TO FIT YOUR BUDGET

THESE SCREENS SERVE AS A PHYSICAL BARRIER AT TILL POINTS TO AID IN PROTECTING STAFF & CUSTOMERS.



LIGHTWEIGHT



EASILY CLEANED

## PROTECTIVE SCREENS & WORKSPACE DIVIDERS

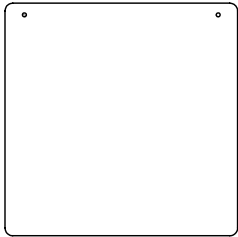
### HANGING PROTECTOR\*

CS303 Option 1 & Option 3

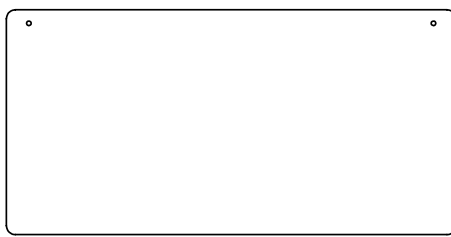
A) 600mm (W) x 600mm (H)

B) 1000mm (W) x 500mm (H)

A



B



\*2 X CEILING HOOKS AND 4 X YACHT CABLE CRIMPS INCLUDED

### PROTECTIVE COUNTER TOP SCREEN

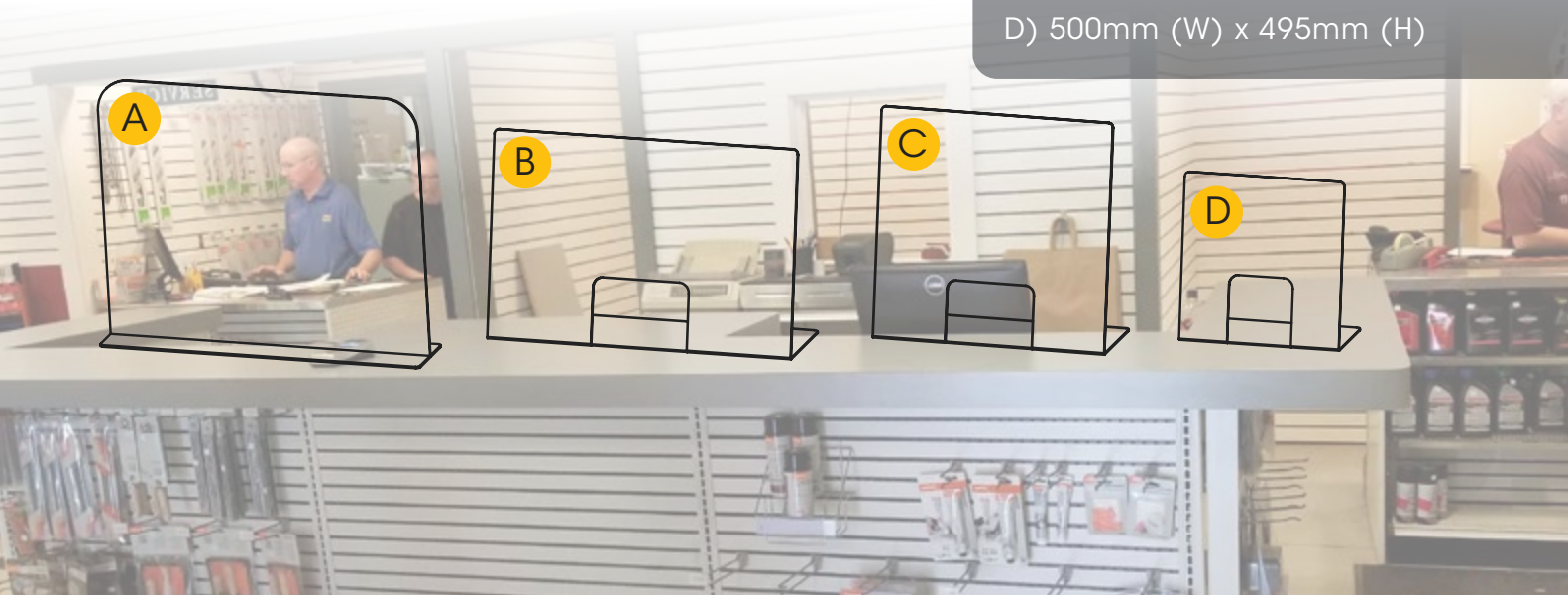
MC018 OPT3

A) 1000mm (W) x 800mm (H)

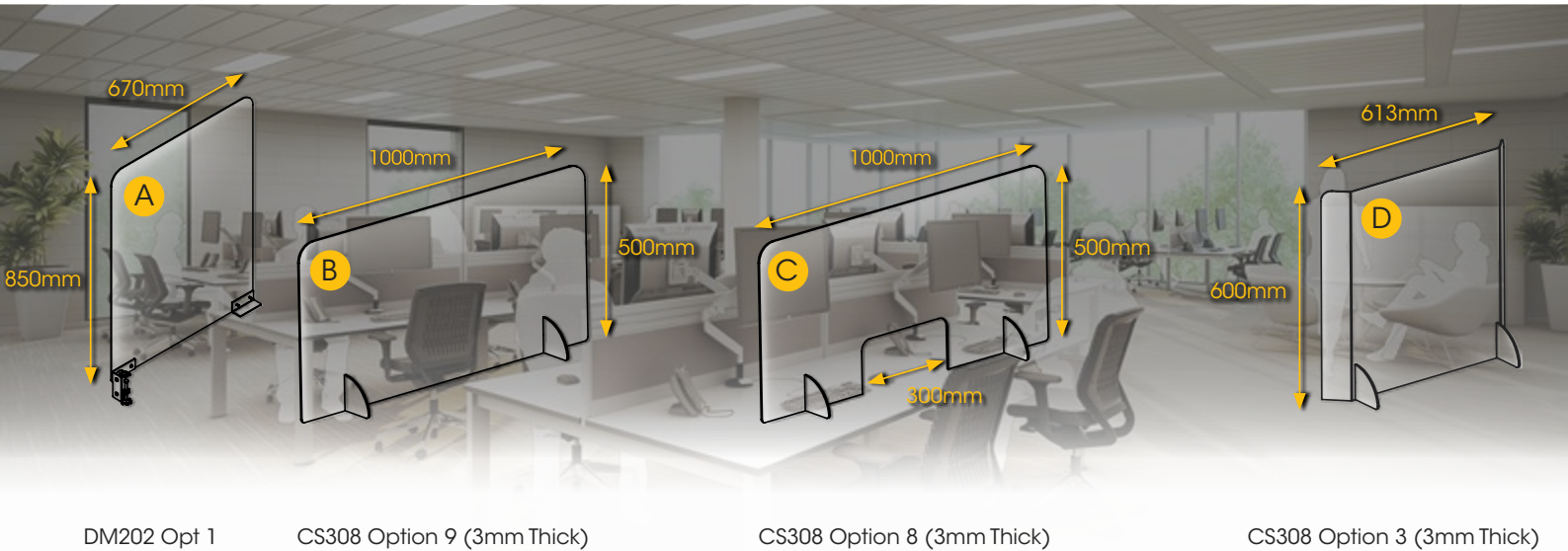
B) 950mm (W) x 600mm (H)

C) 800mm (W) x 750mm (H)

D) 500mm (W) x 495mm (H)



**MATERIAL SPECIFICATIONS MAY DIFFER AND ARE SUBJECT TO AVAILABILITY AT ANY GIVEN TIME.**



## DIVIDER SCREENS

**PLEASE NOTE:  
FEET WILL BE SUPPLIED LOOSE.  
FEET ARE EASILY CLIPPED ONTO UPRIGHT SCREEN**

- A) 670mm (W) x 850mm (H)
- B) 1000mm (W) x 500mm (H)
- C) 1000mm (W) x 500mm (H)
- D) 613mm (W) x 600mm (H)

## TILL POINT GUARD

JVS092

**SIZE:  
600mm (w) x 772mm (h) x 250mm (d)**





**MATERIAL SPECIFICATIONS MAY DIFFER AND ARE SUBJECT TO AVAILABILITY AT ANY GIVEN TIME.**

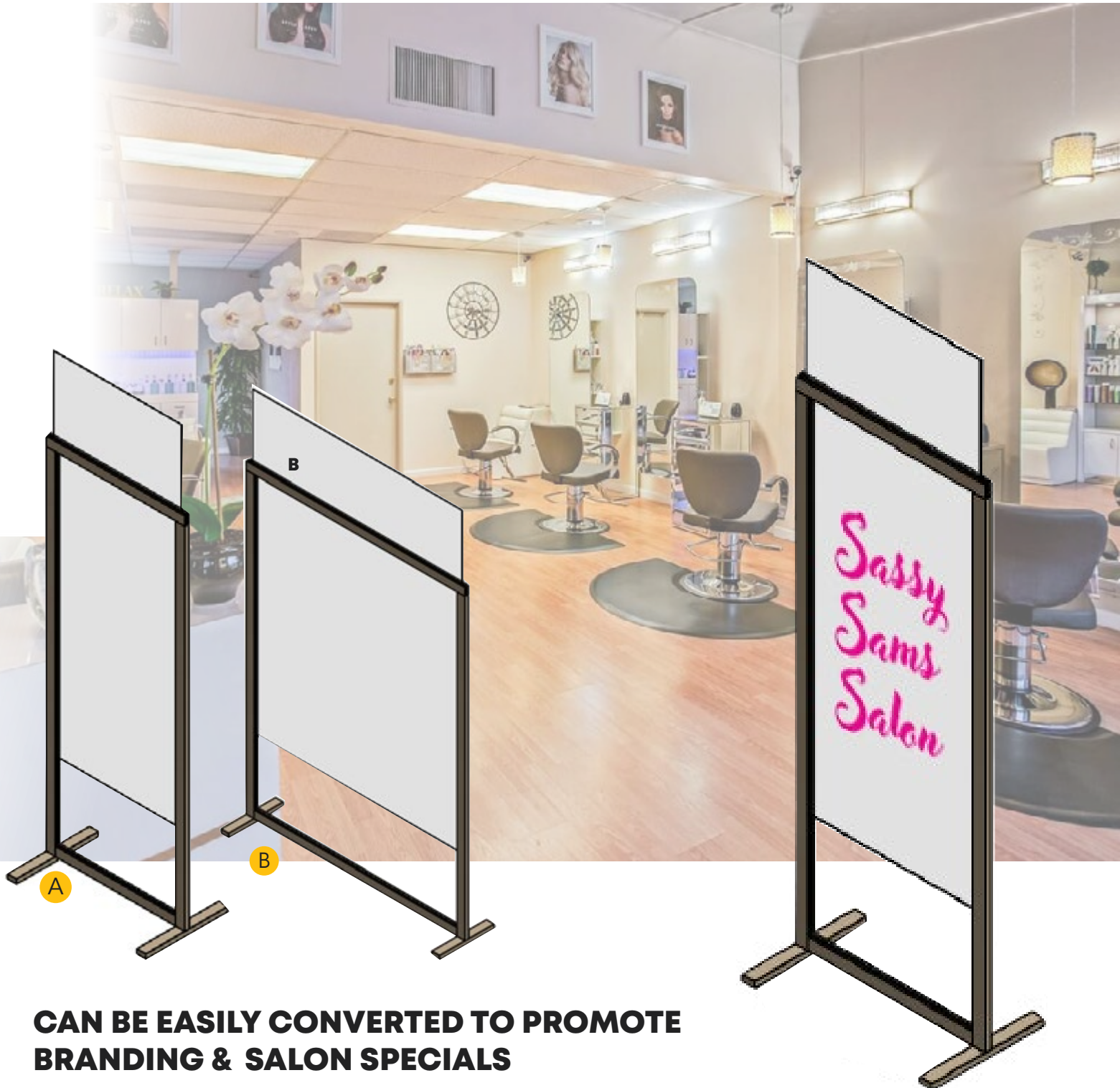
## WORKSPACE DIVIDER

**BE SERVICE READY WITH OUR STANDARD OPTIONS**

A) Floor standing - 1770mm (H) x 674mm (W)

B) Counter top - 1770mm (H) x 1250mm (W)

A) DM192 & B) DM193



**CAN BE EASILY CONVERTED TO PROMOTE BRANDING & SALON SPECIALS**

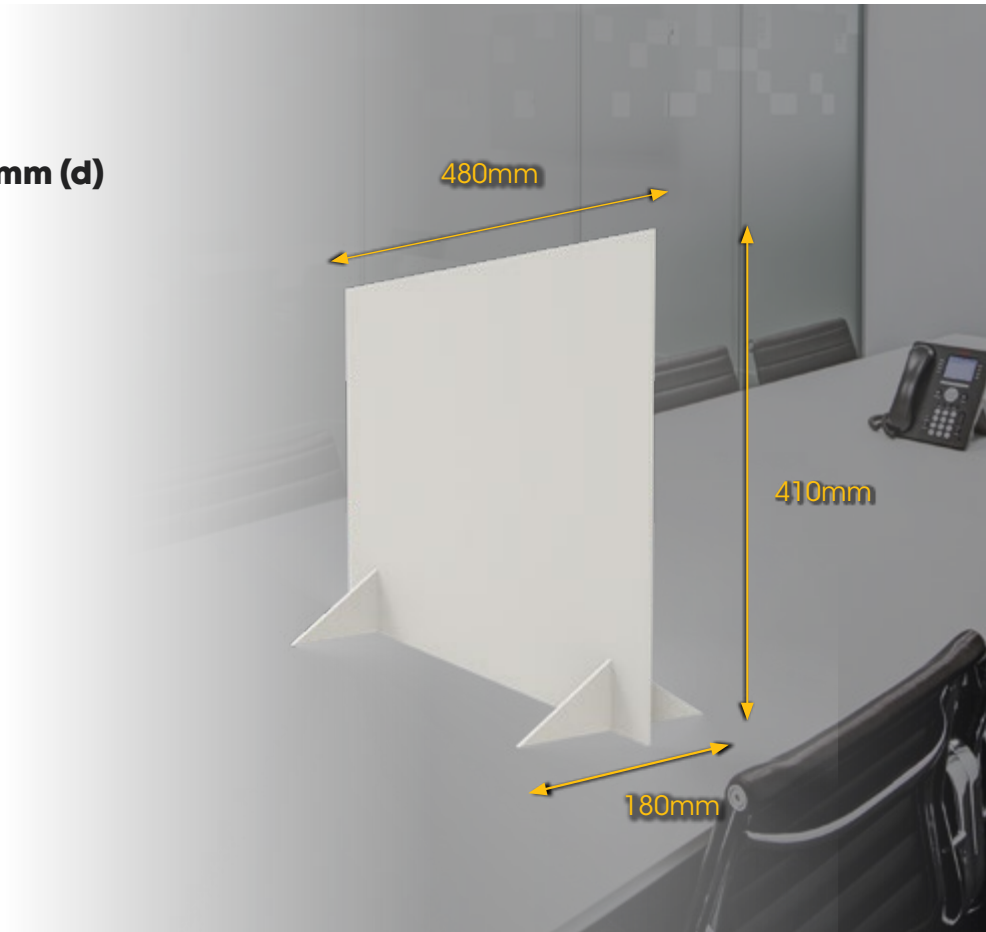


## DESK DIVIDER

### SIDE DESK DIVIDER

CS322

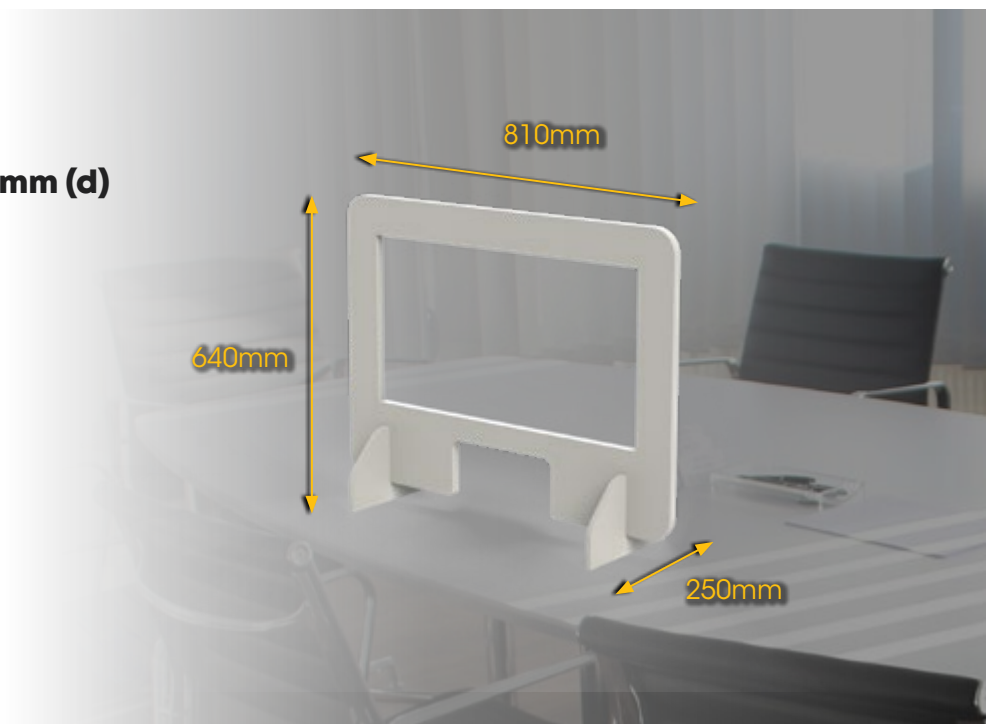
**SIZE: 480mm (w) x 410mm (h) x 180mm (d)**



### FRONT SCREEN DESK DIVIDER

CS324

**SIZE: 810mm (w) x 640mm (h) x 250mm (d)**



# PROTECTIVE MEDICAL SHIELDS

**BE SAFE. STAY STRONG.**

**Protect yourself & others with our specially designed protectors for the medical field**



THE PROTECTIVE MEDICAL AIDS SERVE AS A PHYSICAL BARRIERS TO AID PROTECTING STAFF & PATIENTS.



LIGHTWEIGHT



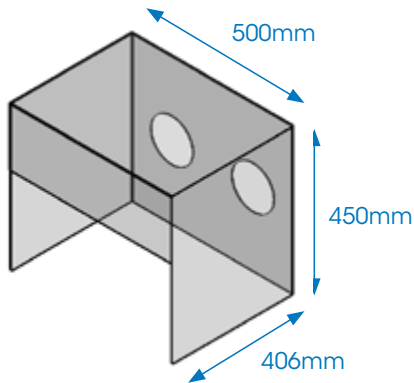
EASILY CLEANED

## PROTECTIVE MEDICAL SHIELDS

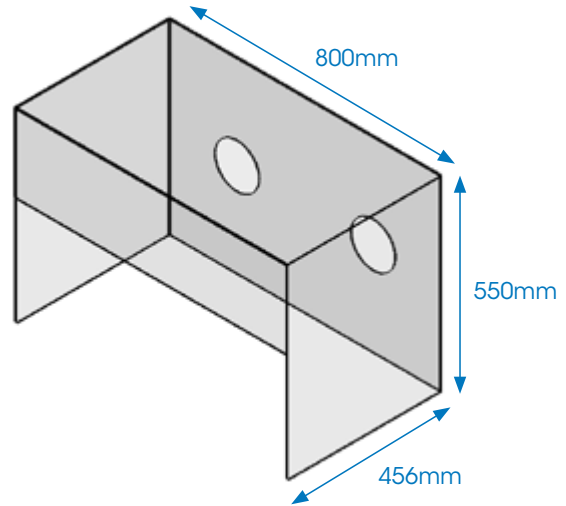
### STANDARD RESUSCITATION BOX

CS300RV2

A



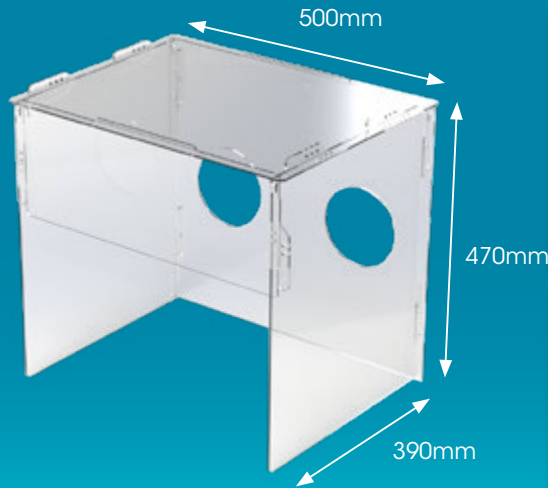
B



### RESUSCITATION BOX (BAG INCLUDED)

CS304RV2 Option 1

EASILY DISMANTLES TO PACK FLAT FOR STORAGE



BAG - FRONT

BAG - INSIDE

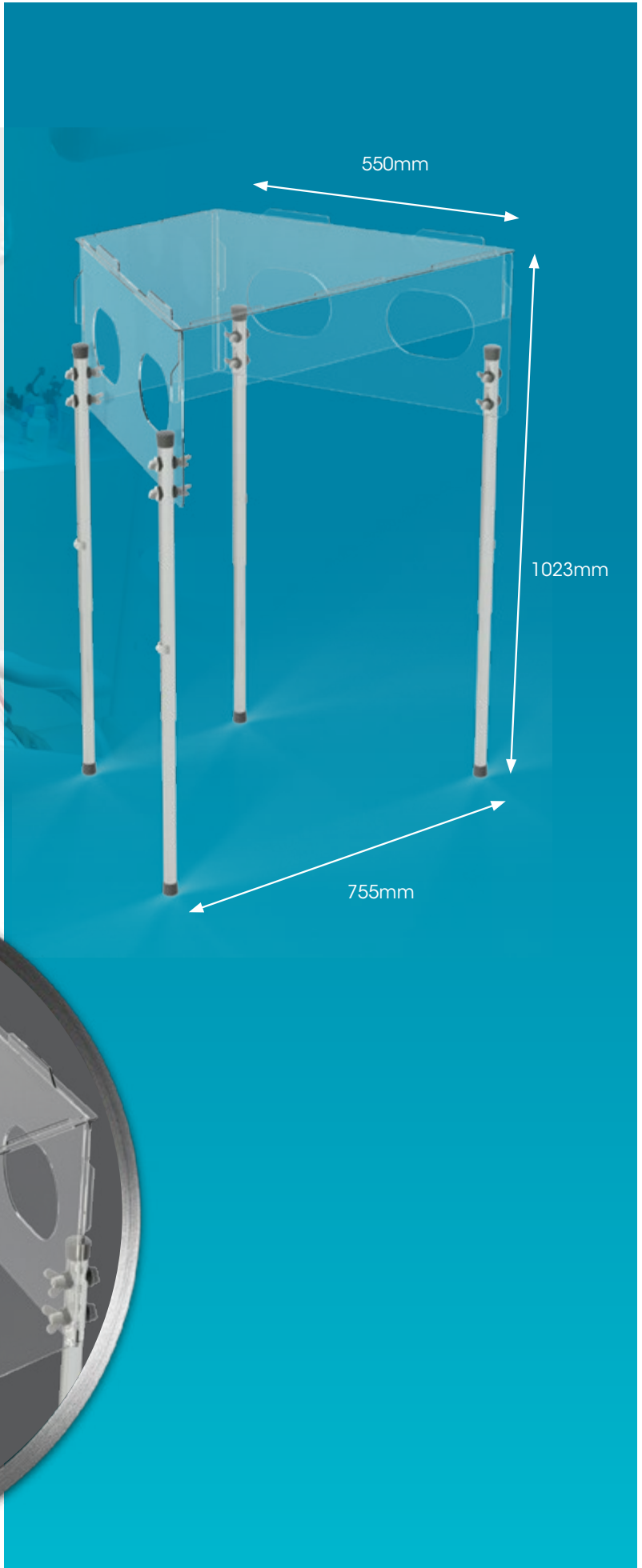


EASILY CLEANED



## DENTIST PATIENT SHIELD

MC029



# BACK TO SCHOOL

## BE SAFE. STAY STRONG.

**Provide a complete solution by combining with a Face Mask & Face Shield.**



THESE PROTECTIVE SCREENS SERVE AS A BARRIER TO AID IN THE PROTECTION OF STUDENTS AND STAFF.



LIGHTWEIGHT

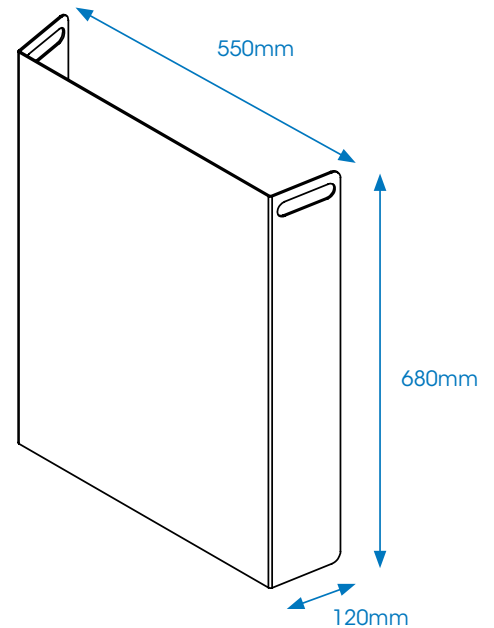


EASILY CLEANED

## BACK TO SCHOOL

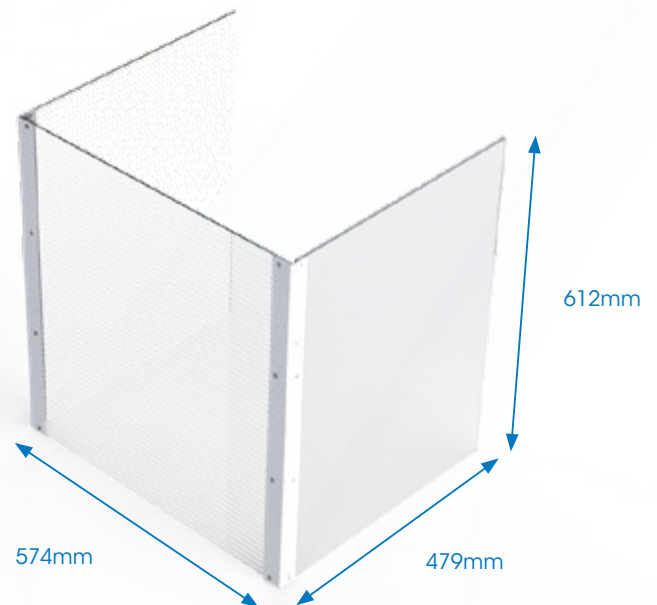
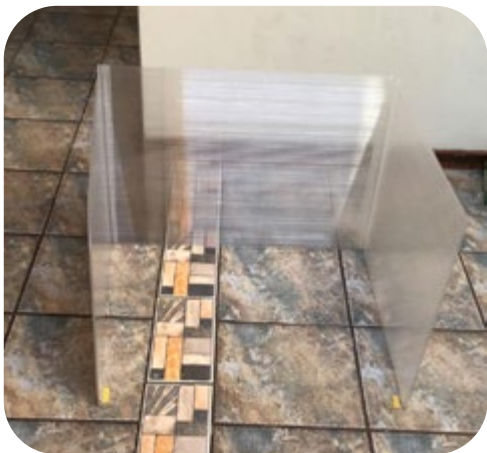
### DESK DIVIDERS

CS305 option 3



### CUBICLE

CS321





# GENERAL RANGE

**BE SAFE. STAY STRONG.**

**Maintain & generate awareness around safety procedures & precautions throughout your store with Floor Vinyl solutions**



## FLOOR VINYL

### SOCIAL DISTANCING FLOOR VINYL

IZ025 (A)  
IZ024 (C & H)  
IZ034 (D, E, F & G)

#### EASY TO APPLY

SIZE: 400 X 400mm

MOQ: 100



#### EASY TO APPLY

SIZE: 600 X 85mm

MOQ: 100



## QUEUEING SIGNAGE

IZ028

STANDARD SIZES A1, A2 & A3

WRITE & WIPE FEATURE ALLOWS FOR EASE OF UPDATING QUEUEING TIMES



**A** DOUBLE SIDED WRITE & WIPE A-FRAME



**B** SINGLE SIDED WRITE & WIPE LOLLIPOP STAND



## OUT OF STOCK L-STAND

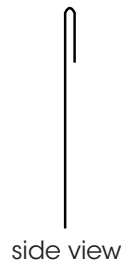
CS078 OPT 2



100 X 100mm  
DIGITALLY PRINTED

## PRODUCT LIMITATION SIGNAGE

IZ030



150 X 60mm  
WRITE & WIPE FEATURE. EASILY UPDATE THE NUMBER OF PRODUCTS EACH CUSTOMER IS LIMITED TO. HOOKS ONTO SHELF EDGE PRICING HOLDER

## SHELF EDGE PRICING STRIP INSERT

IZ033



30 X 914mm, 30 X 1000mm & 30 X 1220mm  
STRIP INSERT TO PLACE INTO SHELF EDGE PRICING STRIP COMMUNICATES WHICH PRODUCTS ARE OUT OF STOCK



## HYGIENE MULTI-TOOL

IZ036

**SIZE: 79mm (w) x 120mm (h)**

**MOQ: 30**

**LIMITS DIRECT CONTACT AND THE TRANSFER OF GERMS.**

**BUTTON PUSHER; DOOR HANDLE TOOL USED TO PULL DOWN DOOR HANDLE WHILST OPENING AND CLOSING DOORS, AIDS IN THE PREVENTION OF ACCIDENTAL CONTAMINATION.**

**BRANDING IS AN OPTIONAL EXTRA**



## DISPOSABLE TROLLEY HANDLES

IZ037

**SIZE: 500mm (length)**

**MOQ: 100**

**LIMITS DIRECT CONTACT AND THE TRANSFER OF GERMS**

**MANUALLY WRAPPED AROUND THE TROLLEY HANDLE**

**BRANDING IS AN OPTIONAL EXTRA**



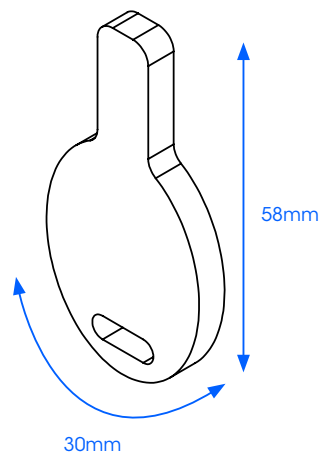
## HYGIENE HAND KEYS

IZ035

**SIZE: 30mm (w) x 58mm (h)**

**MOQ: 50**

**LIMITS DIRECT CONTACT AND THE TRANSFER OF GERMS**



# BACKHAND DISPENSERS

## BACKHAND WALL MOUNT DISPENSER

**THE BACKHAND WALL MOUNT DISPENSER PROVIDES A SIMPLE AND EFFICIENT WAY OF REDUCING THE SPREAD OF GERMS.**

**ONLY THE BACKHAND IS USED TO ENGAGE THE SPURTING OF THE HAND SANITISER BOTTLE**

**ONLY AVAILABLE IN STAINLESS STEEL**



**\*Please Note: Sanitiser & Bottle not included.**

## ELBOW PUSH WALL UNIT DISPENSER

**THE ELBOW PUSH DISPENSER PROVIDES A SIMPLE AND EFFICIENT WAY OF REDUCING THE SPREAD OF GERMS.**

**ONLY THE ELBOW IS USED TO ENGAGE THE SPURTING OF THE HAND SANITISER BOTTLE**

**ONLY AVAILABLE IN STAINLESS STEEL**



**\*Please Note: Sanitiser & Bottle not included.**

# BACKHAND DISPENSERS

## BACKHAND MOUNT DISPENSER (FOR TOYOTA QUANTUM TAXI)

**THE BACKHAND MOUNT DISPENSER PROVIDES A SIMPLE AND EFFICIENT WAY OF REDUCING THE SPREAD OF GERMS WHEN ENTERING AND EXITING A VEHICLE**

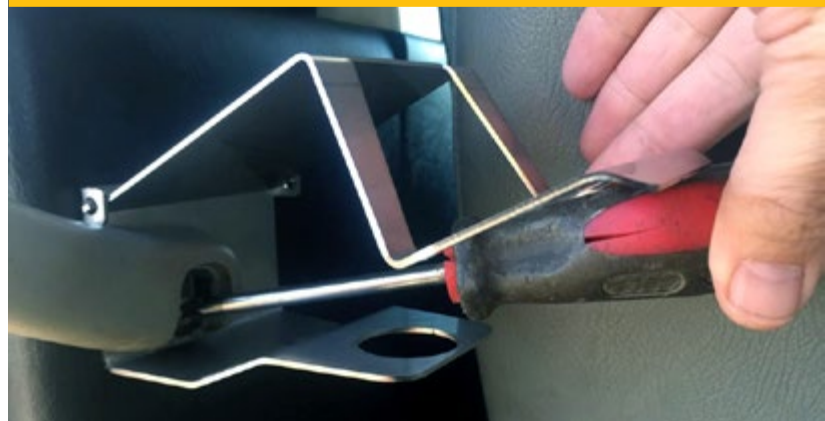
**THIS UNIT IS ONLY AVAILABLE FOR THE TOYOTA QUANTUM VEHICLE**

**ONLY THE BACKHAND IS USED TO ENGAGE THE SPURTING OF THE HAND SANITISER BOTTLE**

**ONLY AVAILABLE IN STAINLESS STEEL**



**EASY TO INSTALL**



**\*Please Note: Sanitiser & Bottle not included.**

## BACKHAND CAR HEADREST MOUNT DISPENSER

**THE BACKHAND MOUNT DISPENSER PROVIDES A SIMPLE AND EFFICIENT WAY OF REDUCING THE SPREAD OF GERMS WHEN IN A VEHICLE**

**ONLY THE BACKHAND IS USED TO ENGAGE THE SPURTING OF THE HAND SANITIZER BOTTLE**

**ONLY AVAILABLE IN STAINLESS STEEL**



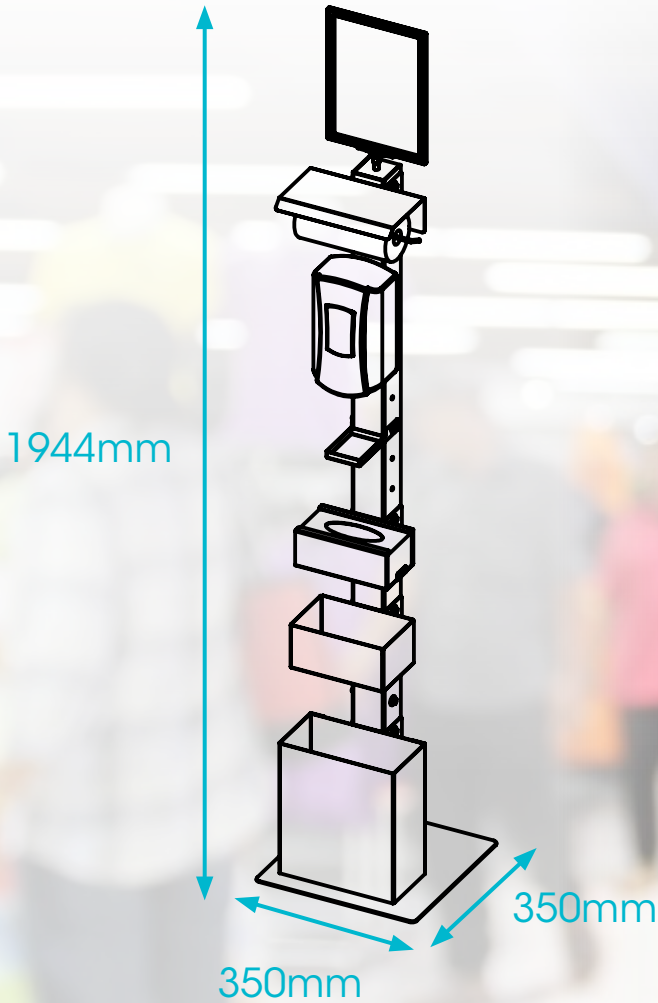
**\*Please Note: Sanitiser & Bottle not included.**



# HYGIENE STATION

**HYGIENE STATION**

CS317



## ALL YOUR HYGIENE ESSENTIALS IN ONE NEAT STATION

**FOR DISPENSING OF PAPER TOWEL, SOAP, TISSUES & MASKS.**

**PLEASE NOTE: KYTA DOES NOT SUPPLY CONSUMABLES  
BRANDING IS AN OPTIONAL EXTRA**

## FREESTANDING FOAMBOARD HAND SANITISER DISPENSER

CS323

**THE HAND SANITISER DISPENSER PROVIDES A SIMPLE AND EFFICIENT WAY OF KEEPING HANDS CLEAN & REDUCING THE SPREAD OF GERMS**

**SIZE: 340mm (w) x 1212mm (h) x 400mm (d)**

**\*Please Note: Sanitiser & Bottle not included.**



# FREESTANDING HAND SANITISER DISPENSER

**THIS HAND SANITISER DISPENSER OFFERS A SIMPLE AND EASY WAY OF SANITISING HANDS THEREBY LIMITING THE SPREAD OF GERMS.**

**AVAILABLE IN BLACK AND WHITE**

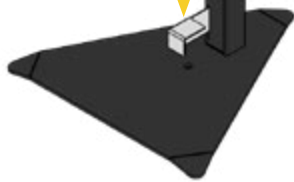
**\*Please Note: Sanitiser & Bottle not included.**

**SIDE VIEW**

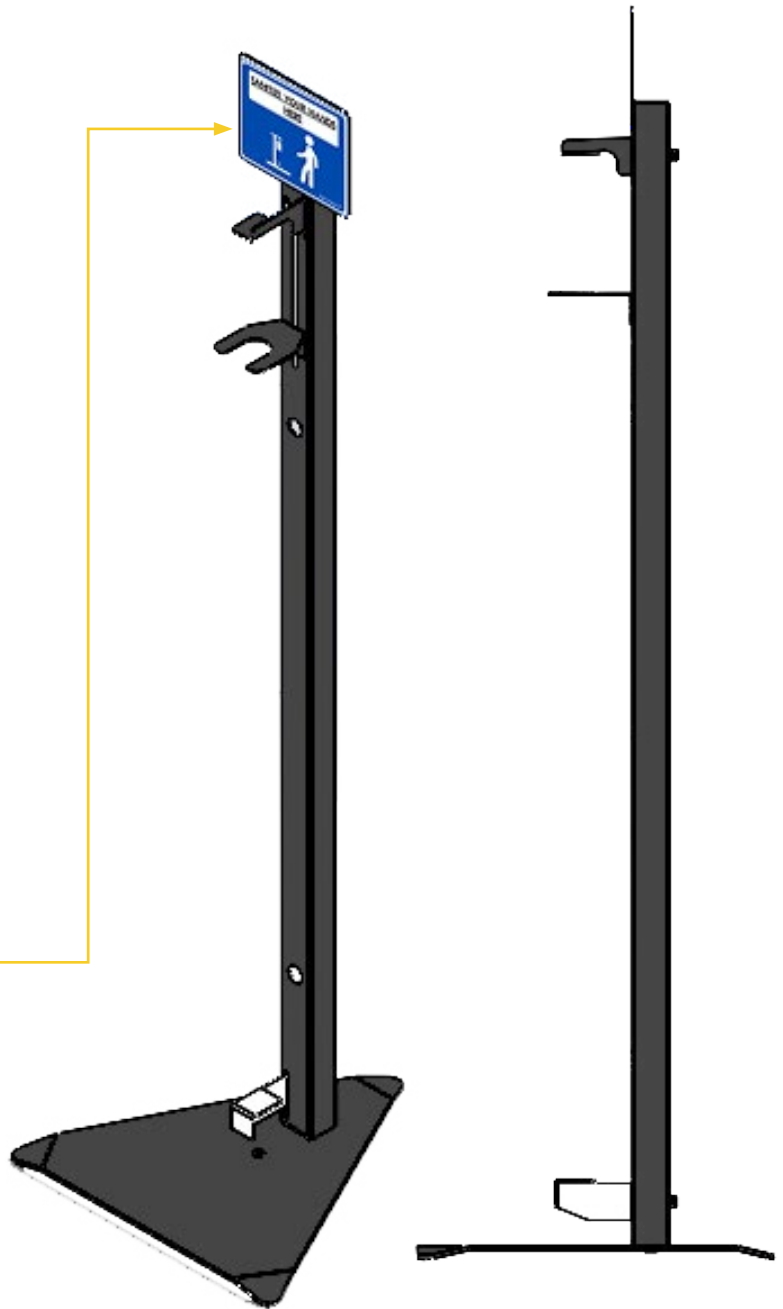
**1. HAND SANITISER BOTTLE GETS ATTACHED HERE**



**2. DEPRESS FOOT LEVER TO ACTIVATE AND DISPENSE SANITISER SOLUTION**



**SIGNAGE INCLUDED**





# WALL MOUNTED HAND SANITISER DISPENSOR

**THIS HAND SANITISER DISPENSER OFFERS A SIMPLE AND EASY WAY OF SANITISING HANDS THEREBY LIMITING THE SPREAD OF GERMS**

**AVAILABLE IN BLACK & WHITE**

**THIS HAND SANITISER DISPENSER IS SUPPLIED WITH WALL PLUGS AND SCREWS FOR MOUNTING**



**\*Please Note: Sanitizer & Bottle NOTT included.**



## CONTACT US

### Western Cape

✉ saleswc@kytaindustries.com

☎ 083 447 0830 - Brian Smith

### Gauteng

✉ salesjhb@kytaindustries.com

☎ 079 892 2700 - Chris Troskie

### Durban

✉ saleskzn@kytaindustries.com

☎ 084 454 5917 - Monica Singh

### Bloemfontein

✉ salesbloem@kytaindustries.com

☎ 064 909 1007 - Eugene Wiesenaar

### Port Elizabeth

✉ salesec@kytaindustries.com

☎ 072 535 8524 - Kyle Wright